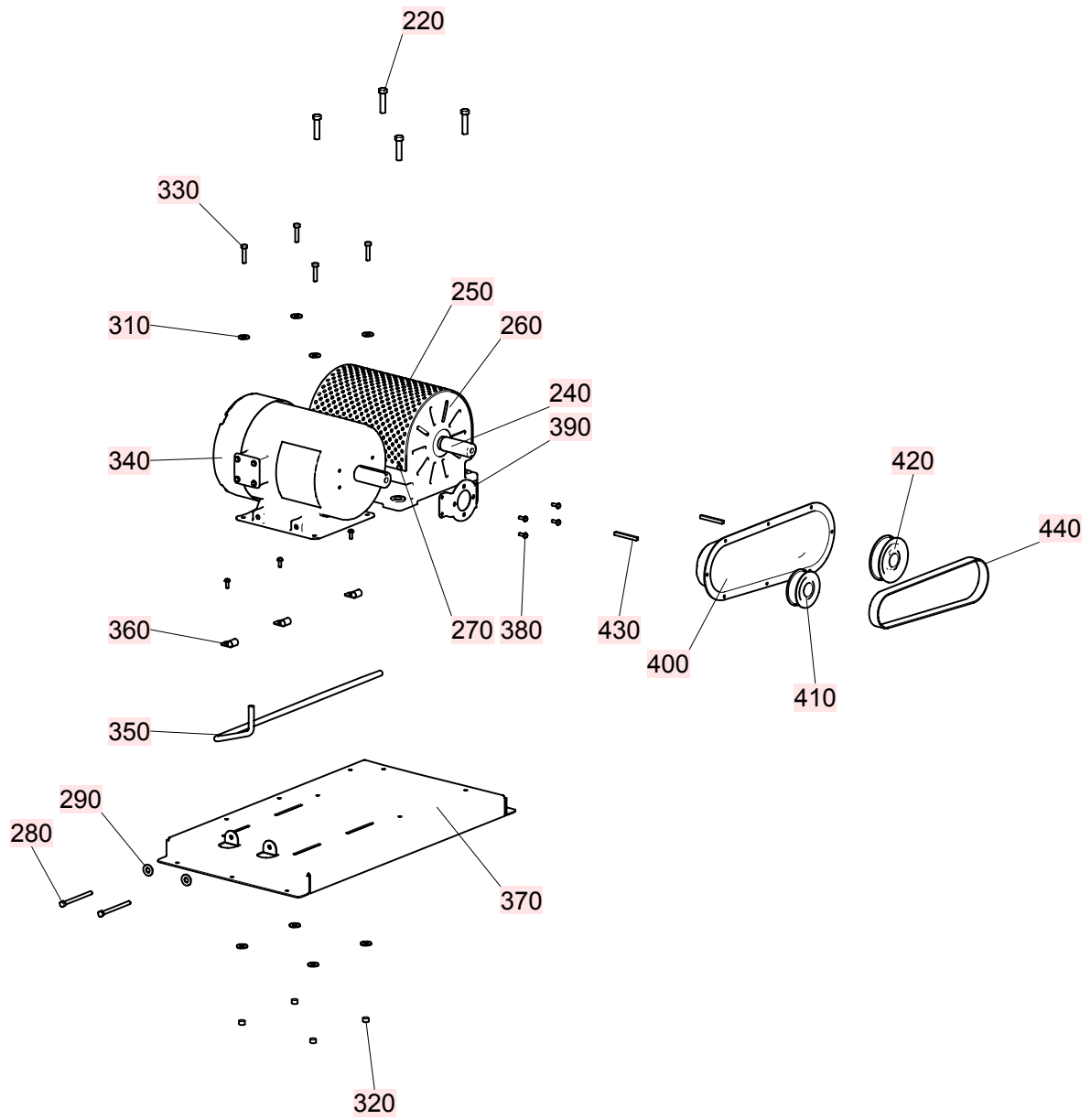
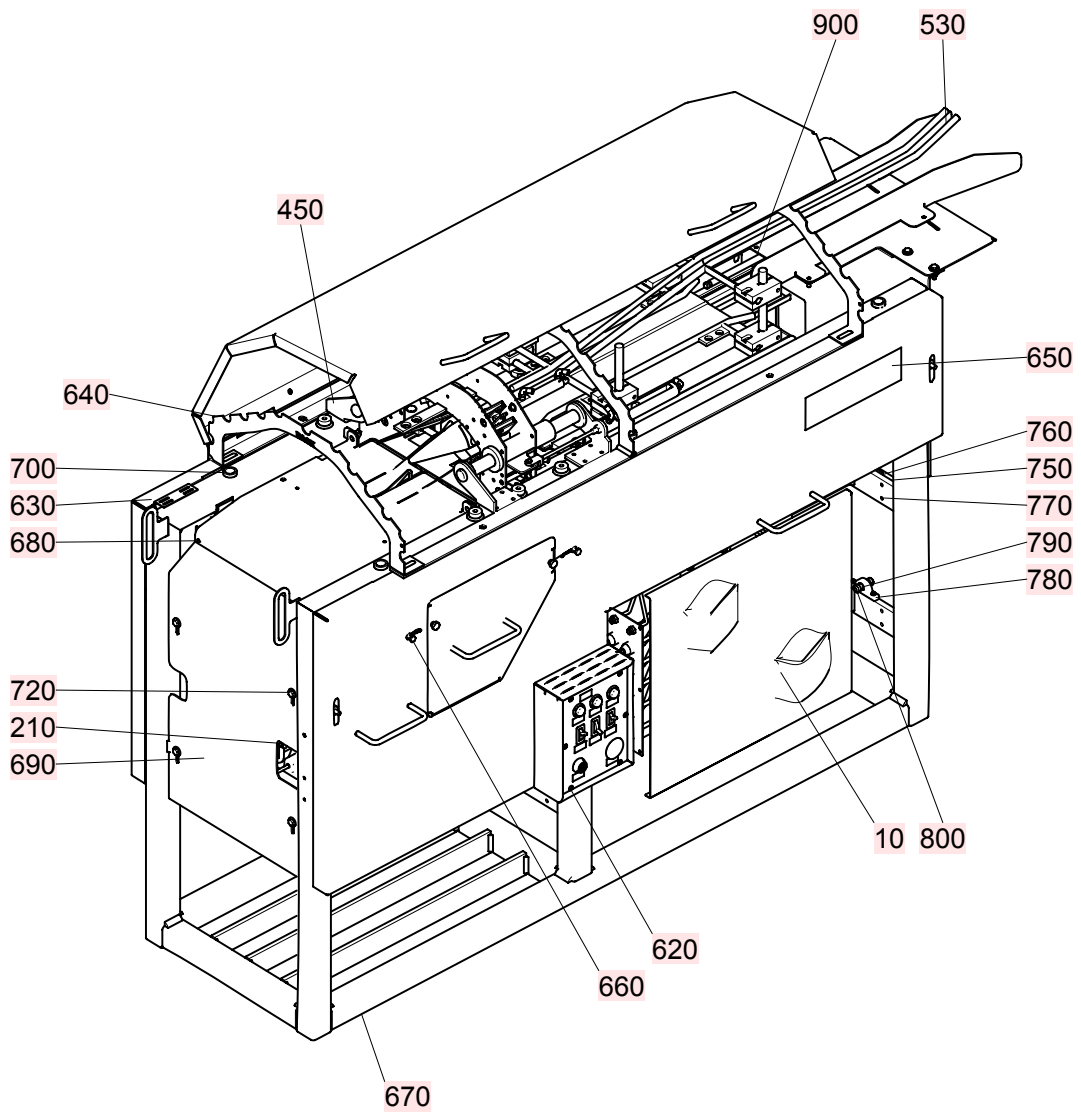


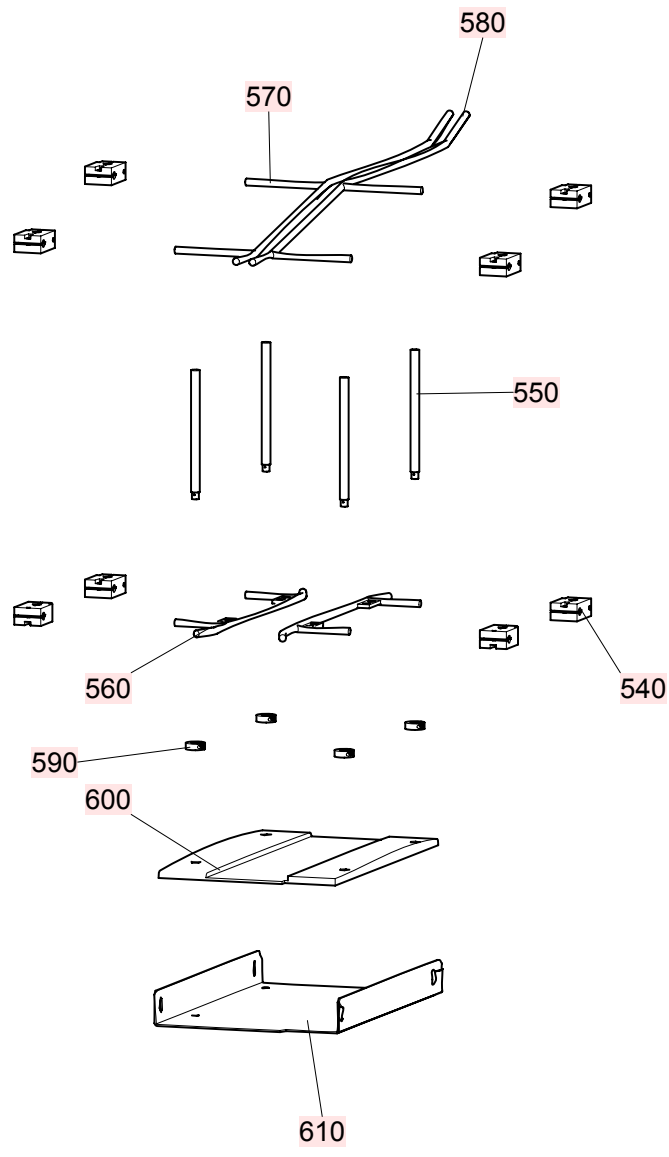
View B



View C



View A



View D

ITEM	DESCRIPTION	PART NO.	QTY	INFO
10	•SHEET METAL ASSY	SH23444	1	
20	••BOLT	BT00342	8	
30	••HOSE CLAMP	CL34555	4	
40	••CONTROL ASSY	CT98500	1	
50	••BACK PANEL	PL56900	2	
60	••POPPET VALVE ASSY	VL22001	1	
70	••CABLE CLAMP	CL34670	2	
80	••REGULATOR ASSY	SP5487	2	
90	••FRONT PANEL	PL56990	1	
100	••SHEETMETAL SCREW	8X1L2	12	
110	•INFEED GUIDE ASSY	SH65200	1	
120	••KNOB	PC55000	2	
130	••NUT	NT56125	4	
140	••BOLT	BT00420	4	
150	••WASHER	WH87660	4	
160	••INFEED SUPPORT PLATE	SH65210	1	
170	••INFEED GUIDE - RIGHT	SH65220	1	
180	••INFEED GUIDE - LEFT	SH65230	1	
190	••INFEED BASE PLATE	SH65240	1	
200	••NUT	NT56150	2	
210	•MOTOR ASSY	MT43000	1	
220	••BOLT	BT00440	4	
230	••CLUTCH DRIVE ASSY	MT43100	1	
240	•••CLUTCH SHAFT	MT43110	1	
250	•••CLUTCH COVER	MT43120	1	
260	•••CLUTCH BRAKE	MT43130	1	
270	•••SHEETMETAL SCREW	8X1L2	6	
280	••BOLT	BT00521	2	
290	••WASHER	WH87680	2	
300	••FASTENER KIT	FN63201	4	
310	•••WASHER	WH87690	2	
320	•••NUT	NT56155	1	
330	•••BOLT	BT00535	1	
340	••MOTOR - MAIN DRIVE	MT43200	1	
350	••POWER CORD	CD88521	1	
360	••CABLE CLAMP	CL34890	3	
370	••MOTOR MOUNT PLATE	MT43300	1	
380	••SHEETMETAL SCREW	8X1L2	7	
390	••GUARD BRACKET	MT43220	1	
400	••PULLEY COVER	PU69521	1	
410	••PULLEY - DRIVE	PU69510	1	
420	••PULLEY - SLAVE	PU69520	1	
430	••KEY	PU69530	2	
440	••BELT	PU69550	1	
450	•SEPARATOR ASSY	SP35000	1	
460	••SEPARATOR - TOP RIGHT	SP35100	1	

ITEM	DESCRIPTION	PART NO.	QTY	INFO
470	••SEPARATOR - TOP LEFT	SP35200	1	
480	••SEPARATOR - BOTTOM RIGHT	SP35300	1	
490	••SEPARATOR - TOP LEFT	SP35400	1	
500	••SLIDER - FRAME	SP35500	1	
510	••SLIDER - RIGHT	SP35600	1	
520	••SLIDER - LEFT	SP35700	1	
530	•INFEED TABLE	SH22000	1	
540	••RAIL GUIDE BRACKET	SH22100	8	
550	••RAIL GUIDE SHAFT	SH22200	4	
560	••RAIL GUIDE - BOTTOM	SH22300	2	
570	••RAIL GUIDE - RIGHT	SH22400	1	
580	••RAIL GUIDE - LEFT	SH22500	1	
590	••SHAFT COLLAR	SH22600	4	
600	••BELT BED	SH22700	1	
610	••BELT PAN	SH22800	1	
620	•CONTROL PANEL	CT54000	1	
630	•GUARD - RIGHT	SH66254	1	
640	•GUARD - TOP	SH66260	1	
650	•GUARD - LEFT	SH66270	1	
660	•BOLT	BT00420	2	
670	•FRAME	SH78100	1	
680	•INDEX COVER	SH78200	1	
690	•INDEX COVER - FRONT	SH78210	1	
700	•PIPE COUPLING	CP54125	6	
710	•GUARD PIN	BT00670	6	
720	•BOLT	BT00530	4	
730	•SUPPORT PIN	BT00680	4	
740	•STUD	ST45678	2	
750	•AIR FILTER	FL98467	1	
760	•BRACKET - AIR FILTER	SH85120	1	
770	•SHEETMETAL SCREW	8X1L2	4	
780	•FITTING	FT58921	2	
790	•FLARE END	CP68521	3	
800	•SHEETMETAL SCREW	8X1L2	4	
810	•REGULATOR	RG56421	1	
820	•REGCAP	RG56450	1	
830	•BRACKET - REGCAP	SH65812	1	
840	•SHEETMETAL SCREW	8X1L2	2	
850	•PIPE	CP85412	AR	
860	•PIPE CLAMP	CL34550	4	
870	•SHEETMETAL SCREW	8X1L2	4	
880	•PIPE CLAMP	CL98520	1	
890	•SHEETMETAL SCREW	8X1L2	2	
900	•CONVEYOR ASSY	AS52100	1	
910	••TENSIONER HANDLE	AS52110	2	
920	••SLIDER TENSIONER	AS52120	2	

ITEM	DESCRIPTION	PART NO.	QTY	INFO
930	••SPACER	AS52130	2	
940	••CONVEYOR BASE	AS52140	2	
950	••CONVEYOR CROSSBRACE	AS52150	2	
960	••BOLT	BT00430	8	