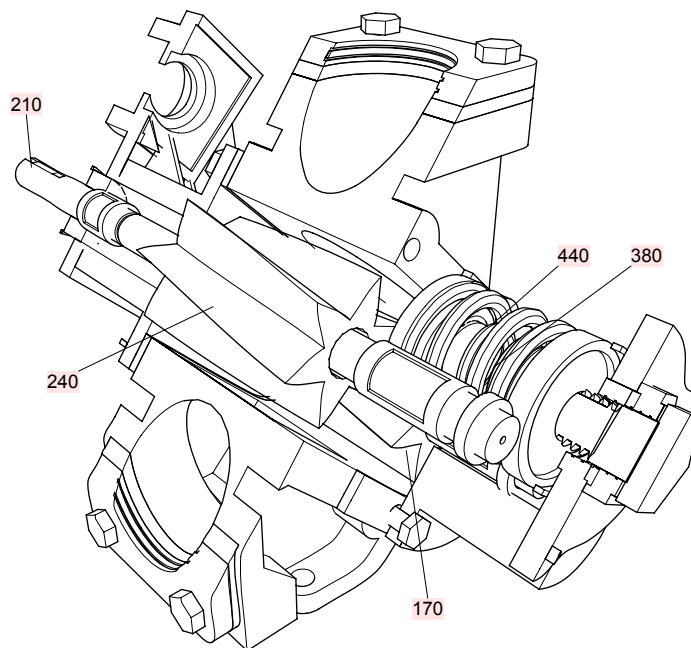


Pump DITA Maintenance Manual

1. Remove the Pump Valve Housing using number 15 wrench



2. Remove the Pump Valve Housing and inspect the rotors for cracks and fouling. Replace as appropriate using Maintenance Procedure JC0346.



3. Prior to re-installation of the Pump Valve Housing, ensure the gasket is resealed with the correct gasket sealant.
4. Reinstall the Pump Valve Housing.
5. Reinstall the Pump Valve. NOTE: Ensure that all bolts are tightened to 25nm.
6. Loosen the pump adjuster by .5 turn.
 - a) Adjust Valve: Loosen the BLT005532