

MAIN LANDING GEAR TORQUE LINKS - Illustrated parts data

DMC: PG-MLG-32-10-02-01A-9411-3

Title: MAIN LANDING GEAR TORQUE LINKS - Illustrated parts data

Issue no: 000 new

Issue Date: 2007-08-16

Language: en/

Security classification : Class01

Responsible partner company: None.

Originator: None.

Applicability

Model 412CF

Manufacturer

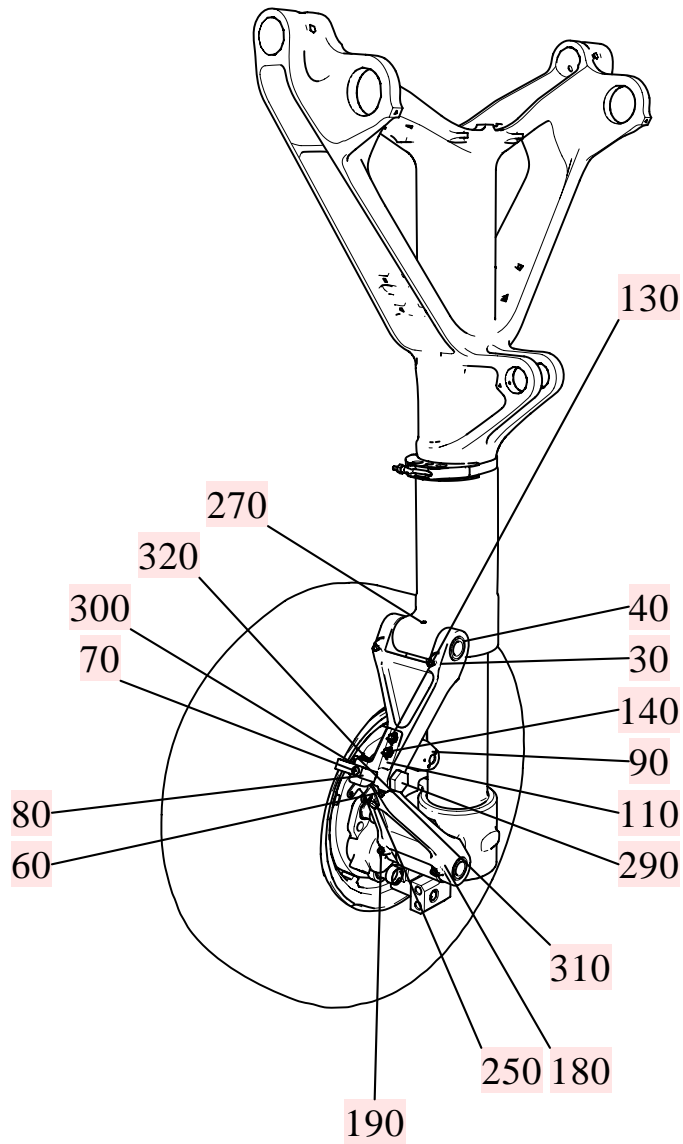
QA: Unverified

Intentionally left blank

MAIN LANDING GEAR TORQUE LINKS - Illustrated parts data

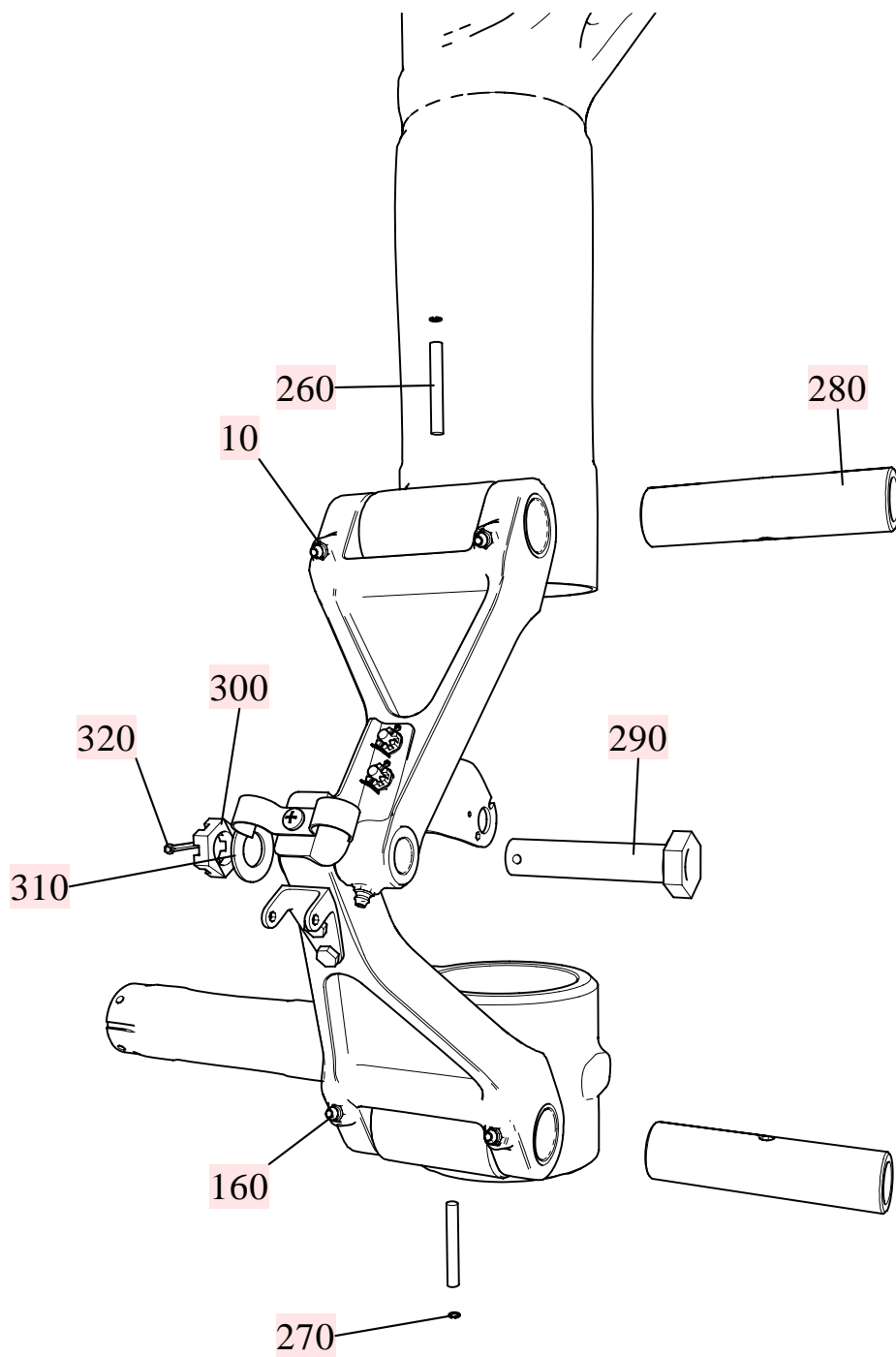
Table of Contents	Page
List of Figures	Page
1 MAIN LANDING GEAR TORQUE LINKS.....	3

UNCLASSIFIED



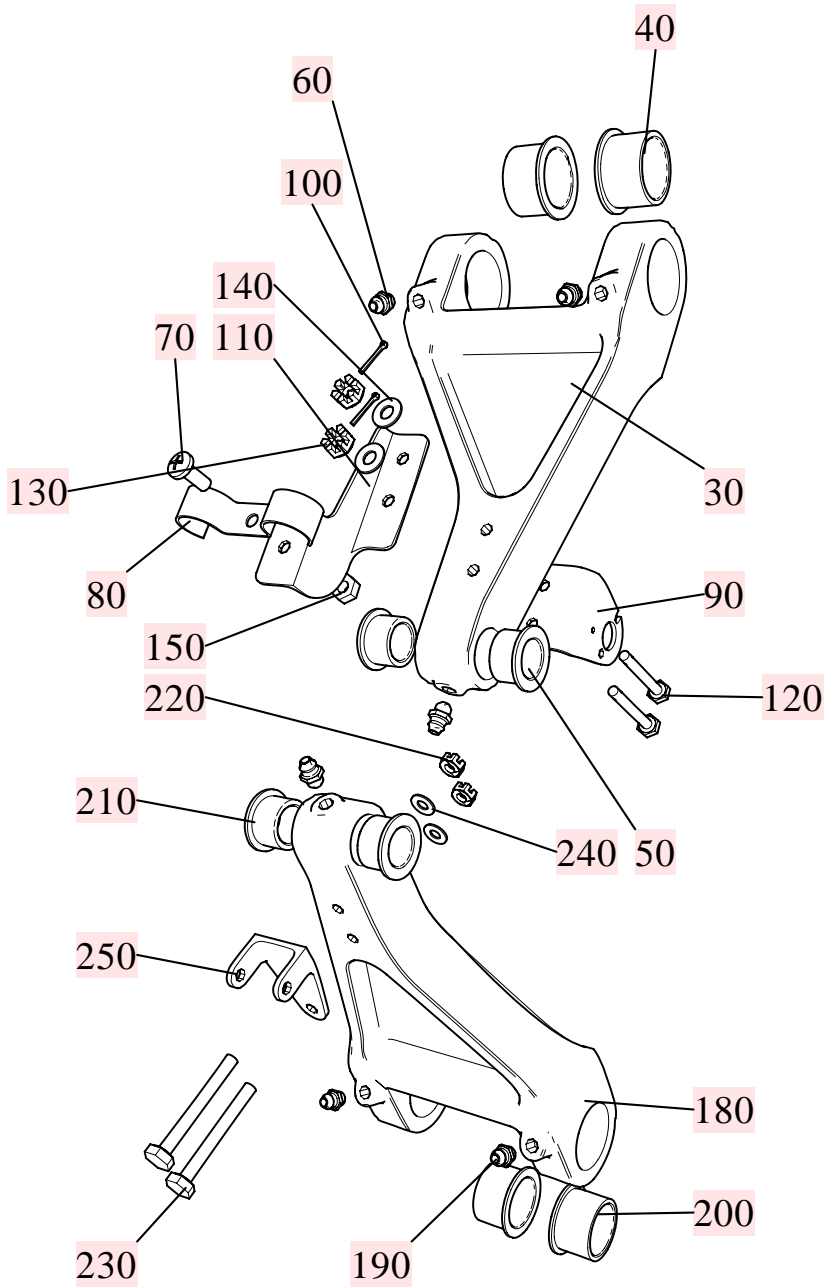
ICN-PG-MLG-321002-0-00000-00001-A-01-1

Figure 1 MAIN LANDING GEAR TORQUE LINKS - (Sheet 1 of 03)



ICN-PG-MLG-321002-0-00000-00002-A-01-1

Figure 1 MAIN LANDING GEAR TORQUE LINKS - (Sheet 2 of 03)



ICN-PG-MLG-321002-0-00000-00003-A-01-1

Figure 1 MAIN LANDING GEAR TORQUE LINKS - (Sheet 3 of 03)

UNCLASSIFIED

Fig.	Item	Units per assembly/ unit of issue	NCAGE	Part No, NATO Stock Number	Nomenclature	*Usable on I code assy C • MV/Effect Y
1						
	1	RF	01673	NHA	MAIN LANDING GEAR	
	10	1	02750	098-954-566	• UPPER ASSY	
	20	1	03024	123-000-001	•• UPPER TORQUE LINK ASSY	
	30	1	00672	DPA759HJD4F5	••• UPPER TORQUE LINK	
	40	2	03350	BACB6GG63A0	••• BUSHING	
	50	2	03350	BACB1KKFTG5	••• BUSHING	
	60	3	03818	NAG72040JK84	••• GREASE ZERK	
	70	1	03024	SSA-520960-2	•• SCREW	
	80	1	03024	CP34FDST876-01	•• CLAMP	
	90	1	02697	SB23FRGH760-01	•• SWITCH BRACKET	
	100	2	02101	BACP26BC42A10P	•• LINK PIN	
	110	1	03024	SB69HLJK190-03	•• STANDOFF BRACKET	
	120	2	03350	BSA-210940-1	•• BOLT	
	130	2	00922	BACN20ZR7DE	•• NUT	
	140	2	03024	NAS1362D0734J	•• WASHER	
	150	1	03350	BACN30ZR8KR	•• NUT	
	160	1	03350	241-879-217	• LOWER ASSY	
	170	1	02750	123-000-002	•• LOWER TORQUE LINK ASSY	
	180	1	00672	DPA759HJD4F5	••• UPPER TORQUE LINK	
	190	3	03818	NAG72040JK84	••• GREASE ZERK	
	200	2	03350	BACB6GG63A0	••• BUSHING	
	210	2	03350	BACB1KKFTG5	••• BUSHING	
	220	2	02750	BACN20XP7CD	•• NUT	
	230	2	02750	BACB40KL4C01	•• BOLT	

UNCLASSIFIED

Fig.	Item	Units per assembly/ unit of issue	NCAGE	Part No, NATO Stock Number	Nomenclature	*Usable on I code assy C • MV/Effect Y
	240	2	03818	BWT65T07321	•• WASHER	
	250	1	00922	PF69HLJK190-05	•• SWITCH TERMINAL BRACKET	
	260	2	02697	BACP16BC02A10P	• SPRING PIN	
	270	2	03024	300W028	• SAFETY WIRE	
	280	2	02101	BACP26BC42A10P	• LINK PIN	
	290	1	01673	BSA-523657-3	• BOLT	
	300	1	01673	BACN20ZR7DF	• NUT	
	310	1	01673	NAS2364F0846M	• WASHER	
	320	1	03024	BACP27FD05A67G	• COTTER PIN 11	

Intentionally left blank