

C3D-AEROSPACE-S1000D DISASSEMBLY -

DMC: GENERIC-000-000-00-00-00AA-520A-A

Language: en/US

Issue no: 001

Issue Date: 2011-11-22

Title: C3D-AEROSPACE-S1000D DISASSEMBLY -

Security classification : Class01

Responsible partner company:

Originator:

Applicability:

QA: Unverified

Intentionally left blank

C3D-AEROSPACE-S1000D DISASSEMBLY -

Table of Contents Page

Preliminary Requirements..... 1

Procedure..... 2

List of Figures Page

1 Reductor module assembly..... 3

2 Turbine Systems assembly..... 5

3 Forward SUMP..... 7

4 LPT..... 9

5 Combustion chamber..... 11

6 Remove the compressor rotor..... 13

Preliminary Requirements

Required Conditions

Table 1 Required Conditions

Title	Data Module
None	

Support Equipment

Table 2 Support Equipment

Nomenclature	Identification No.	Qty	Remarks
None			

Consumables, Materials, and Expendables

Table 3 Consumables, Materials, and Expendables

Nomenclature	Identification No.	Qty	Remarks
None			

Spares

Table 4 Spares

Nomenclature	Identification No.	Qty	Remarks
None			

Safety Conditions

None

Procedure

- 1 REDUCTOR COVER REMOVAL
 - 1.1 REMOVE UPPER COVER RC-001
 - 1.2 REMOVE LOWER COVER RC-002
 - 1.3 REMOVE 10 BOLTS (KOR-10)
 - 1.4 DETACH REDUCTOR MODULE M-001

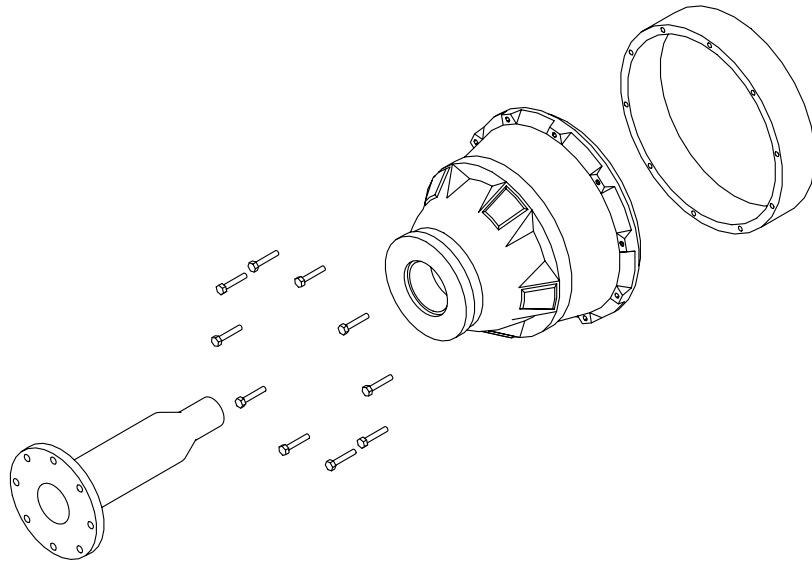


Figure 1 Reductor module assembly

Uninstall the fuel system

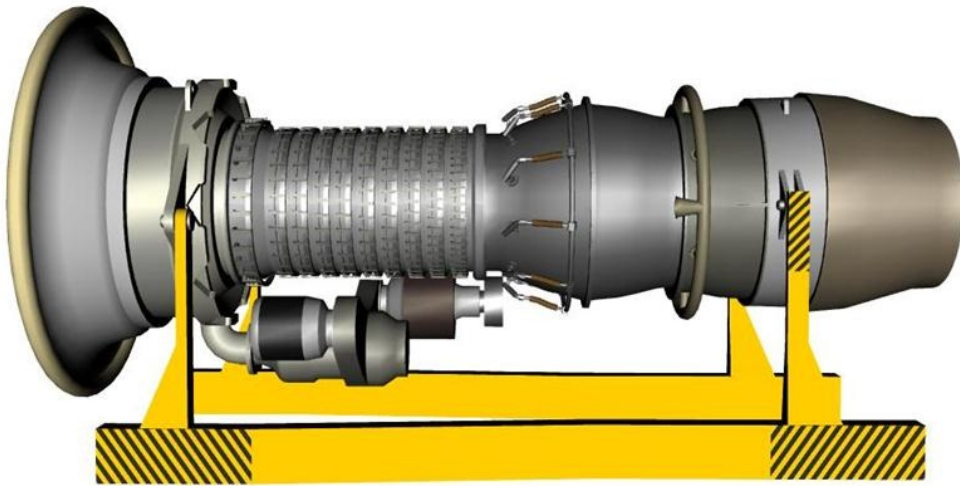


Figure 2 Turbine Systems assembly

2.1 DETACH STARTER M-007

UNCLASSIFIED

- 2.2 DISASSEMBLE FUEL PIPELINE M-004-004 AND FUEL NOZZELS M-004-005
- 2.3 DISASSEMBLE COOLING SYSTEM PIPELINE T-001
- 3 INLET/OUTLET NOZZLES DISASSEMBLY
 - 3.1 REMOVE FORWARD PART OF INLET NOZZLE IN-001
 - 3.2 REMOVE AFT PART OF INLET NOZZLE IN-002
 - 3.3 REMOVE OUTLET NOZZLE MODULE M-006
- 4 FORWARD SUMP DISASSEMBLY

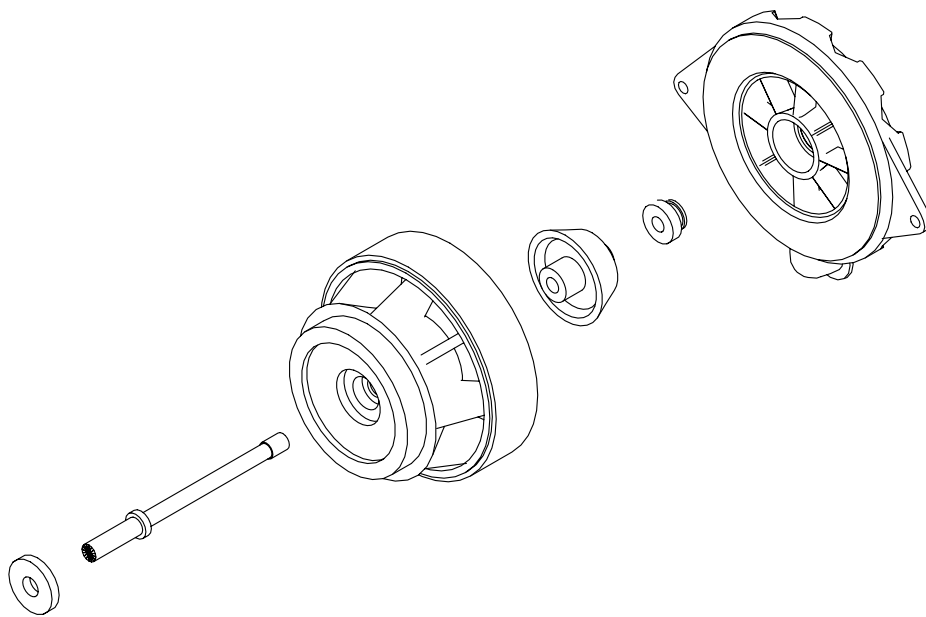


Figure 3 Forward SUMP

UNCLASSIFIED

- 4.1 PLACE WAY UNDER COMPRESSOR
- 4.2 PLACE WAY UNDER COMBUSTION CHAMBER
- 4.3 DETACH FORWARD SUMP M-002
- 5 TURBINE MODULE DISASSEMBLY
 - 5.1 PLACE WAY UNDER TURBINE
 - 5.2 DETACH AFT FRAME M-005-003
 - 5.3 DETACH LOW PRESSURE TURBINE (LPT)

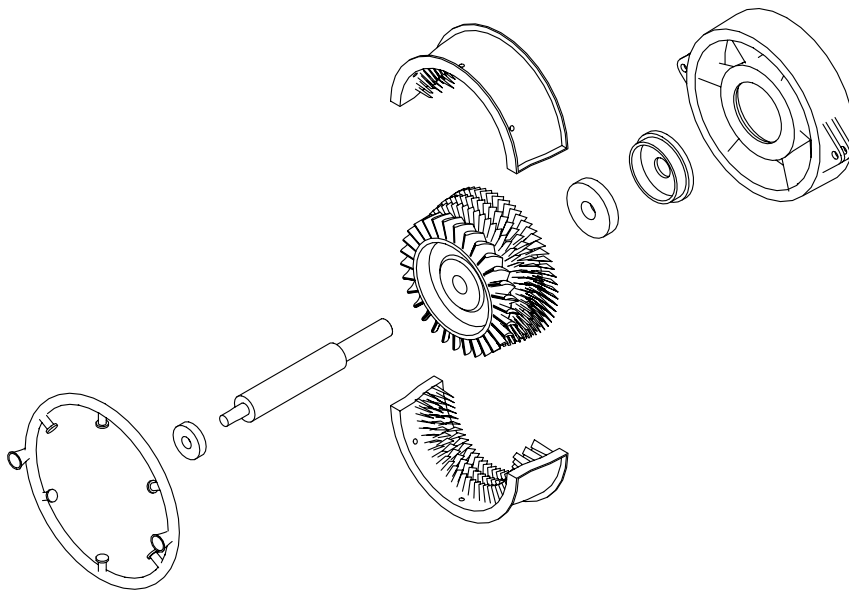


Figure 4 LPT

- 5.4 REMOVE LPT UPPER CASE
- 5.5 REMOVE LPT ROTOR M-005-001
- 6 COMBUSTION CHAMBER DISASSEMBLY

Detach the combustion chamber

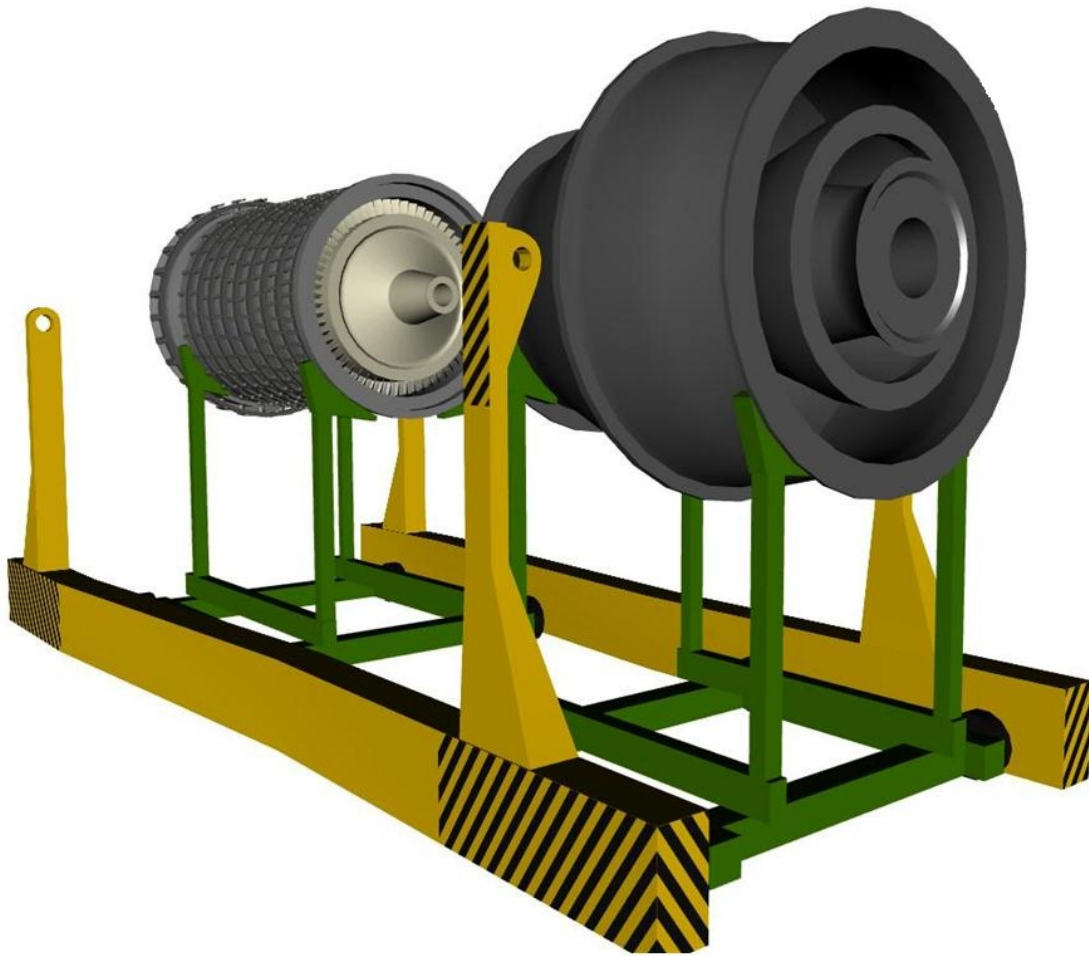


Figure 5 Combustion chamber

6.1 DETACH COMBUSTION CHAMBER M-004

- 7 COMPRESSOR MODULE DISASSEMBLY
 - 7.1 DISASSEMBLE STATOR BLADES CONTROL SYSTEM
 - 7.2 REMOVE COMPRESSOR UPPER CASE M-003-002 WITH BLADES
 - 7.3 REMOVE COMPRESSOR ROTOR M-003-003

Remove turbine rotor

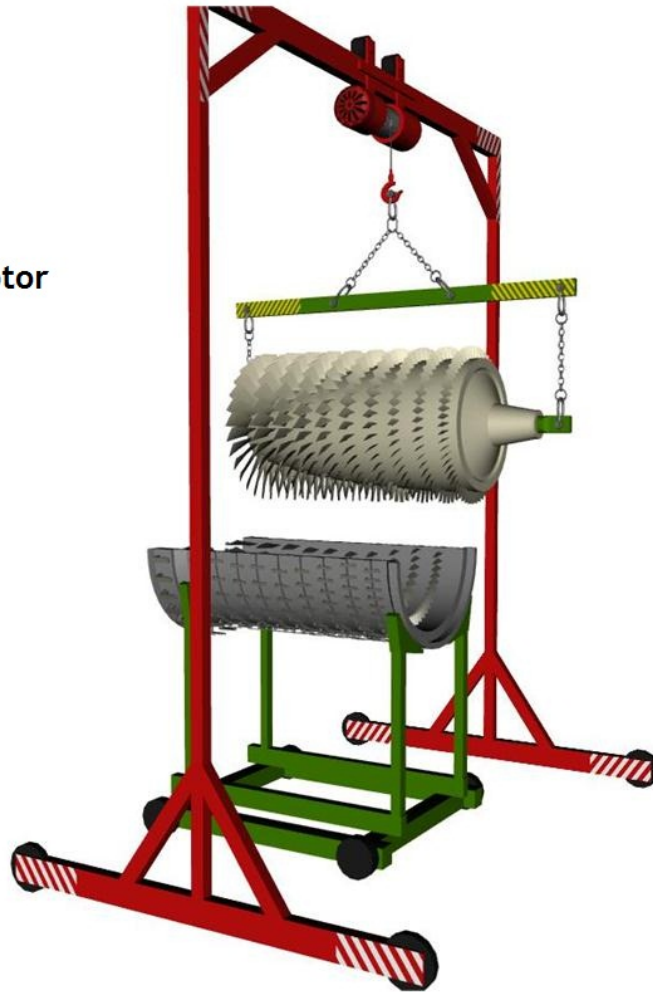


Figure 6 Remove the compressor rotor

Required Conditions

Table 5 Required Conditions

Title	Data Module
None	
